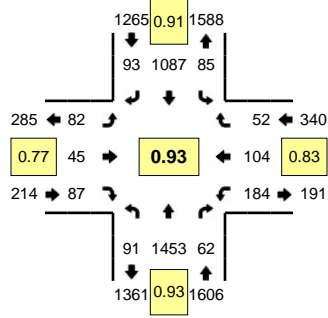
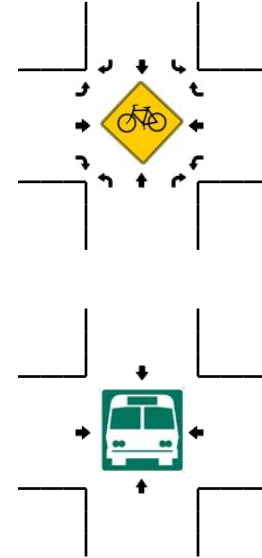
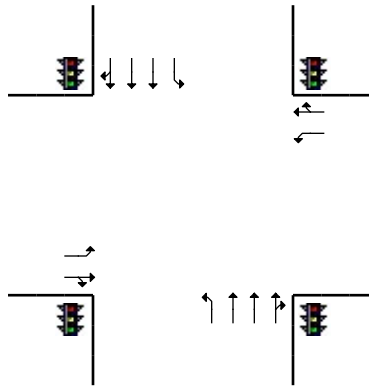
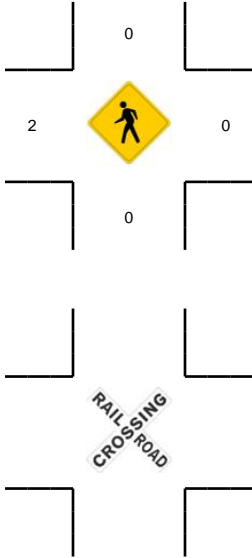
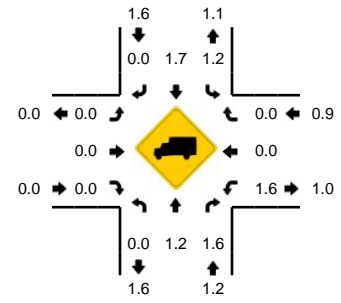


LOCATION: SE 164th Ave -- SE 12th St
CITY/STATE: Vancouver, WA

QC JOB #: 10309607
DATE: 12/4/2007



Peak-Hour: 4:25 PM -- 5:25 PM
Peak 15-Min: 4:45 PM -- 5:00 PM



5-Min Count Period Beginning At	SE 164th Ave (Northbound)				SE 164th Ave (Southbound)				SE 12th St (Eastbound)				SE 12th St (Westbound)				Total	Hourly Totals
	Left	Thru	Right	U	Left	Thru	Right	U	Left	Thru	Right	U	Left	Thru	Right	U		
4:00 PM	5	116	3	0	10	73	6	0	9	4	8	0	13	6	10	0	263	
4:05 PM	10	107	5	0	6	91	9	1	5	5	9	0	17	1	5	0	271	
4:10 PM	7	104	7	0	8	72	9	0	10	5	5	0	15	5	6	0	253	
4:15 PM	13	110	5	0	5	103	7	0	1	1	13	0	5	0	1	0	264	
4:20 PM	11	121	4	0	6	90	9	0	6	4	5	0	17	4	3	0	280	
4:25 PM	9	114	8	2	11	85	8	0	7	4	8	0	12	3	4	0	275	
4:30 PM	15	106	6	0	3	88	5	0	8	3	8	0	18	9	7	0	276	
4:35 PM	7	98	7	0	9	95	11	0	4	4	7	0	19	5	1	0	267	
4:40 PM	11	121	3	1	13	69	6	0	10	8	7	0	14	4	7	0	274	
4:45 PM	3	140	6	0	6	94	8	1	5	1	5	0	15	10	8	0	302	
4:50 PM	5	122	4	0	6	99	6	0	6	3	13	0	9	11	2	0	286	
4:55 PM	11	133	9	0	9	116	8	0	2	4	6	0	18	14	4	0	334	3345
5:00 PM	6	114	5	0	6	92	6	0	6	0	5	0	21	10	1	0	272	3354
5:05 PM	4	88	1	0	7	99	11	0	7	2	5	0	20	6	6	0	256	3339
5:10 PM	6	144	3	0	1	72	5	0	8	5	6	0	18	21	4	0	293	3379
5:15 PM	10	152	2	0	7	85	9	0	12	4	5	0	12	8	2	0	308	3423
5:20 PM	1	121	8	0	6	93	10	0	7	7	12	0	8	3	6	0	282	3425
5:25 PM	8	101	7	0	9	90	5	0	3	5	4	0	17	13	3	0	265	3415
5:30 PM	13	110	2	0	4	73	6	0	2	4	7	0	14	10	0	0	245	3384
5:35 PM	8	98	6	0	10	89	6	0	7	4	6	0	11	9	3	0	257	3374
5:40 PM	5	117	5	0	4	65	6	0	10	3	6	0	15	11	7	0	254	3354
5:45 PM	7	112	4	0	9	115	16	0	9	2	15	0	10	8	6	0	313	3365
5:50 PM	18	95	4	0	0	66	8	0	1	12	14	1	12	7	1	0	239	3318
5:55 PM	6	93	0	0	3	95	9	0	4	6	9	0	13	3	4	0	245	3229
Peak 15-Min Flowrates	Northbound				Southbound				Eastbound				Westbound				Total	
	Left	Thru	Right	U	Left	Thru	Right	U	Left	Thru	Right	U	Left	Thru	Right	U		
All Vehicles	76	1580	76	0	84	1236	88	4	52	32	96	0	168	140	56	0	3688	
Heavy Trucks	0	8	0		0	28	0		0	0	0		4	0	0		40	
Pedestrians		0				0				0				0				0
Bicycles																		
Railroad																		
Stopped Buses																		

Comments: