



RU

Interval ~~15 min.~~ 15 min.

Binned(CL/SP) Count(volume)

Lane No 1 2

Direction Channel 1: _____

Direction Channel 2: _____

Unique ID#: _____

Counter No. 452297 Count ID 13-001

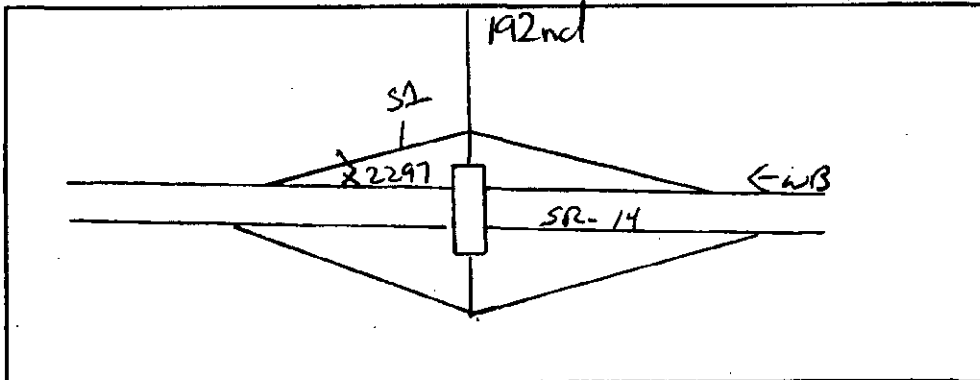
SR 14 RRT/RRQ S1 00975 MP 0.00

Leg 2 Direction WB OSID _____

Station Description _ ON SR-14 WB on ramp from SE 192nd ave

Date	Day	Time	Comments		
11/4/13	2	12:06	Manual (1) <u>10</u> (2) _____ Counter (1) <u>10</u> (2) _____	Set up ok	JDM/ST 6.3v
11/5/13	3	12:17	Manual (1) <u>22</u> (2) _____ Counter (1) <u>21</u> (2) _____ <i>SP=1</i>	Check ok	JDM/TWB 6.2v
11/6/13	4	08:48	Manual (1) <u>21</u> (2) _____ Counter (1) <u>21</u> (2) _____	Check ok	JDM/TWB 6.2v
11/7/13	5	11:01	Manual (1) <u>10</u> (2) _____ Counter (1) <u>10</u> (2) _____	Check ok	JDM/TWB 6.2v
11/8/13	6	08:33	Manual (1) <u>6</u> (2) _____ Counter (1) <u>6</u> (2) _____	P/U ok	JDM/TWB 6.2v

Sketch



JDM / TWB
Field Person

SR 014 S100975 MP 000.00 OFF SYSTEM ID. LEG 2 DIRECTION OF TRAFFIC WESTBOUND LANE ALL OF
 COUNT IDENTIFIER 13-001 COUNTER NUMBER 452297 DESCRIPTION: ON SR 14 WB ON RAMP FROM SE 192ND AVE

11/04/13 MONDAY		AM HOURS												PM HOURS												DAILY TOTAL	
TIME	COUNT	1	2	3	4	5	6	7	8	9	10	11	12	1	2	3	4	5	6	7	8	9	10	11	12	TOT	TOT
00-15	1																									1	
15-30	2																									2	
30-45	3																									3	
45-00	4																									4	
TOT																											
		AM PEAK HOUR 0000 TO 0000 VOLUME 0												PM PEAK HOUR 0500 TO 0600 VOLUME 788												AM TOTAL 4716	PM TOTAL 0

11/05/13 TUESDAY		AM HOURS												PM HOURS												DAILY TOTAL	
TIME	COUNT	1	2	3	4	5	6	7	8	9	10	11	12	1	2	3	4	5	6	7	8	9	10	11	12	TOT	TOT
00-15	1																									1	
15-30	2																									2	
30-45	3																									3	
45-00	4																									4	
TOT																											
		AM PEAK HOUR 0630 TO 0730 VOLUME 1227												PM PEAK HOUR 0430 TO 0530 VOLUME 860												AM TOTAL 5843	PM TOTAL 5365

11/06/13 WEDNESDAY		AM HOURS												PM HOURS												DAILY TOTAL	
TIME	COUNT	1	2	3	4	5	6	7	8	9	10	11	12	1	2	3	4	5	6	7	8	9	10	11	12	TOT	TOT
00-15	1																									1	
15-30	2																									2	
30-45	3																									3	
45-00	4																									4	
TOT																											
		AM PEAK HOUR 0700 TO 0800 VOLUME 1196												PM PEAK HOUR 0430 TO 0530 VOLUME 829												AM TOTAL 5810	PM TOTAL 5217

SR 014 S100975 MP 000.00 OFF SYSTEM ID. LEG 2 DIRECTION OF TRAFFIC WESTBOUND LANE ALL OF

COUNT IDENTIFIER 13-001 COUNTER NUMBER 452297 DESCRIPTION: ON SR 16 WB ON RAMP FROM SE 192ND AVE

11/07/13 THURSDAY		AM HOURS												PM HOURS												DAILY TOTAL	
12	1	2	3	4	5	6	7	8	9	10	11	12	1	2	3	4	5	6	7	8	9	10	11	12	TOTAL		
12	1	2	3	4	5	6	7	8	9	10	11	12	1	2	3	4	5	6	7	8	9	10	11	12	5712		
22	2	5	8	21	56	158	347	270	237	149	177	142	172	147	151	196	202	163	88	57	62	39	39	22	2957		
10	3	6	8	21	70	238	274	207	216	159	175	163	126	118	140	155	266	146	81	36	55	38	13	10	11040		
4	4	5	17	33	107	254	343	228	188	163	158	178	120	172	142	185	185	139	54	46	29	20	12	12	853		
3	4	1	10	39	124	259	269	214	182	121	143	157	129	180	172	200	174	105	39	61	26	15	12	12	2957		
TOT	39	13	17	43	114	357	909	1233	919	823	592	653	640	547	617	605	736	827	553	262	200	172	112	57	11040		
									AM PEAK HOUR 0700 TO 0800 VOLUME 1233																AM TOTAL 5712		
									PM PEAK HOUR 0445 TO 0545 VOLUME 853																PM TOTAL 5328		

11/08/13 FRIDAY

11/08/13 FRIDAY		AM HOURS												PM HOURS												DAILY TOTAL	
12	1	2	3	4	5	6	7	8	9	10	11	12	1	2	3	4	5	6	7	8	9	10	11	12	TOTAL		
12	1	2	3	4	5	6	7	8	9	10	11	12	1	2	3	4	5	6	7	8	9	10	11	12	2957		
30	9	8	8	13	42	134	310	262																	2957		
6	5	8	12	20	71	207	271	211																	1124		
12	5	8	14	22	109	240	298																		0		
9	9	3	9	35	124	195	245																		0		
TOT	57	28	27	36	90	346	776	1124	473																2957		
									AM PEAK HOUR 0700 TO 0800 VOLUME 1124																AM TOTAL 2957		
									PM PEAK HOUR 0000 TO 0000 VOLUME 0																	PM TOTAL 0	

11/04/13 THRU 11/08/13 91

AVG WEEKDAY VOL 11092 X SEASONAL ADJ. FACTOR 0.9600 = 10648 X AXLE CORR FACTOR 0.9505 = ESTIMATED AVG DAILY TRAFFIC 10121

PEAK HOUR PERCENTAGES: K = 11.12 D = 100.00

PEAK HOUR LOCATION : VOLUME = 1233 DATE: 11/07/13 TIME: 07:00 AM

NOTE: COUNT HIGH?



RU

Interval 60 min. 15 min.
 Binned(CL/SP) Count(volume)
Lane No 1 2

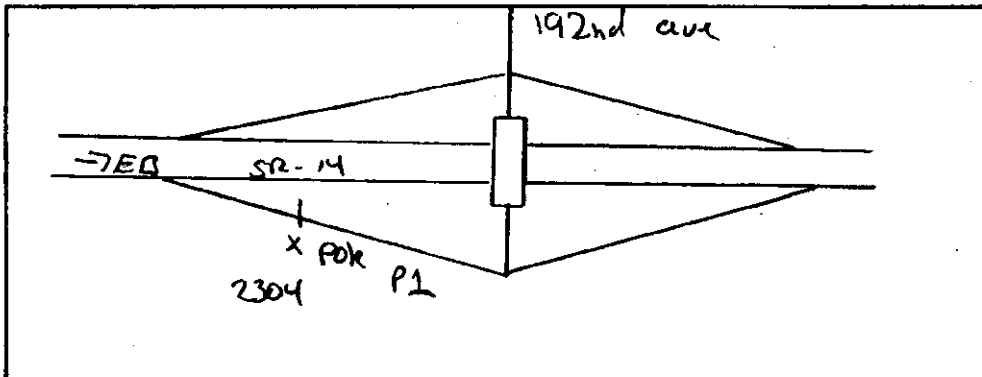
Direction Channel 1 _____
Direction Channel 2 _____
Unique ID# _____

Counter No. 452304 Count ID 13-001
SR 14 RRT/RRQ P1 00982 MP 0.00
Leg 2 Direction EB OSID _____

Station Description _ ON SR-14 EB off ramp to SE 192nd ave

Date	Day	Time	Comments		
11/4/13	2	11:29	Manual (1) <u>10</u> (2) _____ Counter (1) <u>10</u> (2) _____	Set up ok	JDM/ST 6.4v
11/5/13	3	11:47	Manual (1) <u>44</u> (2) _____ Counter (1) <u>44</u> (2) _____	Check ok	JDM/TWB 6.6v
11/6/13	4	08:25	Manual (1) <u>27</u> (2) _____ Counter (1) <u>27</u> (2) _____	Check ok	JDM/TWB 6.5v
11/7/13	5	10:45	Manual (1) <u>6</u> (2) _____ Counter (1) <u>6</u> (2) _____	Check ok	JDM/TWB 6.5v
11/8/13	6	08:05	Manual (1) <u>3</u> (2) _____ Counter (1) <u>3</u> (2) _____	P/U ok	JDM/TWB 6.5v

Sketch



JDM/TWB
Field Person

SR 014 P100982 MP 000.00 OFF SYSTEM ID. LEG 2 DIRECTION OF TRAFFIC EASTBOUND LANE ALL OF
 COUNT IDENTIFIER 13-001 COUNTER NUMBER 452304 DESCRIPTION: ON SR 14 EB OFF RAMP TO SE 192ND AVE

11/06/13	MONDAY												DAILY TOTAL													
	AM HOURS						PM HOURS																			
00-15	12	1	2	3	4	5	6	7	8	9	10	11	12													
15-30	1	2	3	4	5	6	7	8	9	10	11	12	1	2	3	4	5	6	7	8	9	10	11	12		
30-45	1	2	3	4	5	6	7	8	9	10	11	12	1	2	3	4	5	6	7	8	9	10	11	12		
45-00	1	2	3	4	5	6	7	8	9	10	11	12	1	2	3	4	5	6	7	8	9	10	11	12		
TOT	12	1	2	3	4	5	6	7	8	9	10	11	12	1	2	3	4	5	6	7	8	9	10	11	12	7067
	AM PEAK HOUR 0000 TO 0000 VOLUME 0												PM PEAK HOUR 0445 TO 0545 VOLUME 997												AM TOTAL 292	PM TOTAL 6775

11/05/13	TUESDAY												DAILY TOTAL													
	AM HOURS						PM HOURS																			
00-15	12	1	2	3	4	5	6	7	8	9	10	11	12													
15-30	1	2	3	4	5	6	7	8	9	10	11	12	1	2	3	4	5	6	7	8	9	10	11	12		
30-45	1	2	3	4	5	6	7	8	9	10	11	12	1	2	3	4	5	6	7	8	9	10	11	12		
45-00	1	2	3	4	5	6	7	8	9	10	11	12	1	2	3	4	5	6	7	8	9	10	11	12		
TOT	12	1	2	3	4	5	6	7	8	9	10	11	12	1	2	3	4	5	6	7	8	9	10	11	12	10924
	AM PEAK HOUR 0745 TO 0845 VOLUME 653												PM PEAK HOUR 0445 TO 0545 VOLUME 1115												AM TOTAL 3503	PM TOTAL 7421

11/06/13	WEDNESDAY												DAILY TOTAL													
	AM HOURS						PM HOURS																			
00-15	12	1	2	3	4	5	6	7	8	9	10	11	12													
15-30	1	2	3	4	5	6	7	8	9	10	11	12	1	2	3	4	5	6	7	8	9	10	11	12		
30-45	1	2	3	4	5	6	7	8	9	10	11	12	1	2	3	4	5	6	7	8	9	10	11	12		
45-00	1	2	3	4	5	6	7	8	9	10	11	12	1	2	3	4	5	6	7	8	9	10	11	12		
TOT	12	1	2	3	4	5	6	7	8	9	10	11	12	1	2	3	4	5	6	7	8	9	10	11	12	10787
	AM PEAK HOUR 0715 TO 0815 VOLUME 631												PM PEAK HOUR 0500 TO 0600 VOLUME 970												AM TOTAL 3562	PM TOTAL 7225

DOT-RNB515A-B

STATE OF WASHINGTON - DEPARTMENT OF TRANSPORTATION
TRIP SYSTEM
15 MINUTE TRAFFIC COUNT SUMMARY

DATE 12/26/13
TIME 07:54:19
PAGE 2

SR 014 P100982 MP 000.00

OFF SYSTEM ID.

LEG 2

DIRECTION OF TRAFFIC EASTBOUND

LANE ALL OF

COUNT IDENTIFIER 13-001

COUNTER NUMBER 452304

DESCRIPTION: ON SR 14 EB OFF RAMP TO SE 192ND AVE

11/07/13 THURSDAY

AM HOURS

PM HOURS

AM PEAK HOUR 0730 TO 0830 VOLUME 608

PM PEAK HOUR 0515 TO 0615 VOLUME 1049

AM TOTAL 3506

PM TOTAL 7417

DAILY TOTAL 10923

TIME	COUNT	AM	PM	TOTAL
00-15	21	10	5	15
15-30	18	10	5	15
30-45	13	12	8	20
45-00	2	13	9	22
TOT	54	45	27	72

TIME	COUNT	AM	PM	TOTAL
00-15	12	1	2	3
15-30	1	2	3	5
30-45	11	10	11	21
45-00	7	7	6	13
TOT	67	46	37	83

11/04/13 THRU 11/08/13
TOTAL HOURS FOR COUNT 92

3 DAYS
AVG WEEKDAY VOL 10878 X SEASONAL ADJ. FACTOR 0.9600 = 10443 X AXLE CORR FACTOR 0.9505 = ESTIMATED AVG DAILY TRAFFIC 9926

PEAK HOUR PERCENTAGES: K = 10.25 D = 100.00
PEAK HOUR LOCATION : VOLUME = 1115 DATE: 11/05/13 TIME: 04:45 PM

NOTE: COUNT HIGH?



Washington State
Department of Transportation

Ru

Diamond Traffic Counter

Interval 60 min. 15 min.
 Binned(CL/SP) Count(volume)
 Lane No 1 2

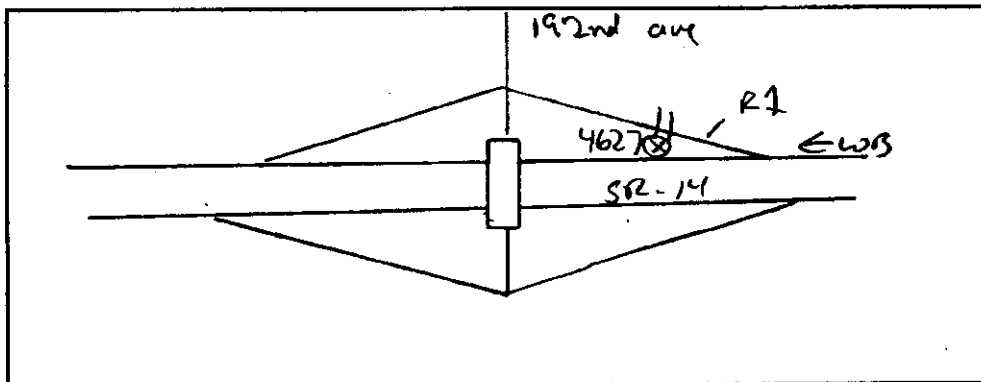
Direction Channel 1 _____
 Direction Channel 2 _____
 Unique ID# _____

Counter No. 454627 Count ID 13-001
 SR 14 RRT/RRQ R1 01037 MP 0.00
 Leg 2 Direction WB OSID _____

Station Description ON SR-14 WB off ramp to SE 192nd ave

Date	Day	Time	Comments		
11/4/13	2	11:59	Manual (1) <u>3</u> (2) _____ Counter (1) <u>3</u> (2) _____	Set up ok	JDM/ST 6.4v
11/5/13	3	12:11	Manual (1) <u>17</u> (2) _____ Counter (1) <u>17</u> (2) _____	Check ok	JDM/TWB 6.5v
11/6/13	4	08:43	Manual (1) <u>10</u> (2) _____ Counter (1) <u>10</u> (2) _____	Check ok	JDM/TWB 6.5v
11/7/13	5	10:58	Manual (1) <u>2</u> (2) _____ Counter (1) <u>2</u> (2) _____	Check ok	JDM/TWB 6.8v
11/8/13	6	08:27	Manual (1) <u>2</u> (2) _____ Counter (1) <u>2</u> (2) _____	P/U ok	JDM/TWB 6.4v

Sketch



North

JDM/TWB
Field Person

DOT-RN8505A-B

STATE OF WASHINGTON - DEPARTMENT OF TRANSPORTATION
TRIP SYSTEM
HOURLY TRAFFIC CLASSIFICATION SUMMARY

DATE 12/26/13
TIME 07:34:05
PAGE 1

SR 014 R101037 MP 000.00 OFF SYSTEM ID. COUNTER NUMBER 454627 LEG 2 DESCRIPTION: ON SR 14 NB OFF RAMP TO SE 192ND AVE LANE ALL OF

11-06-13 MONDAY AM HOURS	CARS PICKUPS	BUS MED	SINGLE MED	UNITS HVV	4+	SINGLE UNIT %	DOUBLE 4-	5	UNITS 6+	DOUBLE UNIT %	5-	TRAINS 6	7+	TRAIN %	TRUCK %	CLASS UNKNOWN	TOTAL VEHICLES
1	211					4.9	2			.9					5.8	2	226
2	176					8.3			1	.5					8.8		193
3	173					10.6	3		2	2.5					13.1		199
4	220					4.7									4.7	1	232
5	243					4.7	1			.4					5.1		256
6	219					2.7									2.7		225
7	160					2.4	1			.6					3.0		165
8	90					5.3									5.3		95
9	62					4.5		1		1.5					6.1		66
10	32																32
11	21																21
12	19																19
AM TOTAL	1626					5.1	7		1	.6					5.8	3	1729
PM TOTAL	1626					5.1	7		1	.6					5.8	3	1729
DAY TOTAL	1626					5.1	7		1	.6					5.8	3	1750
2-AXLE EQUIVALENT																	

DOT-RNB505A-B

STATE OF WASHINGTON - DEPARTMENT OF TRANSPORTATION
TRIP SYSTEM
HOURLY TRAFFIC CLASSIFICATION SUMMARY

DATE 12/26/13
TIME 07:34:05
PAGE 2

SR 014 R101037 MP 000.00 OFF SYSTEM ID. COUNTER NUMBER 454627 LEG 2 DESCRIPTION: ON SR 14 WB OFF RAMP TO SE 192ND AVE LANE ALL OF

11-05-13 TUESDAY AM HOURS 12 - 1	CARS PICKUPS 6	BUS	SINGLE MED AVY	UNITS 4+	SINGLE UNIT %	DOUBLE 4-	UNITS 5	DOUBLE 6+	DOUBLE UNIT %	5-	TRAINS 6	7+	TRAIN %	TRUCK %	CLASS UNKNOWN	TOTAL VEHICLES
1	5				16.7									16.7		6
2	3				8.3									8.3		6
3	4				6.3									6.3		12
4	5				6.7									9.2		48
5	6				4.9									6.1		120
6	7				9.0									9.5		245
7	8				6.8									7.9		189
8	9				7.5									9.1		177
9	10				6.0									7.4		185
10	11				7.6									8.1		210
11	12				4.8									5.7		210
PM HOURS					5.9									6.5		186
1	192				6.1									6.8		264
2	174				3.2									3.6		253
3	245				3.2									2.3		175
4	239				3.6									2.3		100
5	244				2.3									1.0		80
6	171				4.2									4.2		43
7	99				1.0									1.0		24
8	80				4.2									4.2		43
9	43				7.9									4.6		1806
10	23				4.6									5.9		3023
11	11				5.1									5.9		3066
12	13				5.1									5.9		3066
AM TOTAL	1118				6.7									7.9		1217
PM TOTAL	1721				4.1									4.6		1806
DAY TOTAL	2839				5.1									5.9		3023
														5.9		3066

DOT-RNB505A-8

STATE OF WASHINGTON - DEPARTMENT OF TRANSPORTATION
TRIP SYSTEM
HOURLY TRAFFIC CLASSIFICATION SUMMARY

DATE 12/26/13
TIME 07:34:05
PAGE 3

SR 014 R101037 MP 000.00 OFF SYSTEM ID. COUNTER NUMBER 454627 LEG 2 DESCRIPTION: ON SR 14 WB OFF RAMP TO SE 192ND AVE LANE ALL OF

DATE	CARS PICKUPS	BUS	SINGLE MED	HVY	4+	SINGLE UNIT %	DOUBLE 4-	5	6+	DOUBLE UNIT %	5-	6	7+	TRAIN %	TRUCK %	CLASS UNKNOWN	TOTAL VEHICLES
11-06-13	10																10
WEDNESDAY	6																6
AM HOURS	1																1
12 -	2																2
1 -	3																3
2 -	4																4
3 -	5																5
4 -	13		1			7.1											14
5 -	44		4			2.2											45
6 -	101	1	13			4.7											106
7 -	189	4	4		2	9.1										1	209
8 -	213	3	4		1	4.0											225
9 -	202		10			5.6		1		.5							215
10 -	163		8		3	7.3				.6							177
11 -	187	2	15		1	8.1	1			1.9				.5			209
PM HOURS																	
12 -	189	2	12		2	7.7	2			1.0							207
1 -	219		16		1	7.1	4			1.7							240
2 -	195	2	22		1	11.2	3			1.8							224
3 -	226		16		1	7.3	2		1	.8							246
4 -	220	1	14			6.7	1			.4						1	258
5 -	252		15		2	6.3	1			.4							270
6 -	152		5			3.2				1.1							157
7 -	121		3			2.4											124
8 -	83		4			4.5		1									88
9 -	51		2			3.8											53
10 -	28																28
11 -	21																21
AM TOTAL	1142	11	56		8	6.3	5		4	.7							1230
PM TOTAL	1757	5	109		8	6.5	12		2	.8							1896
DAY TOTAL	2899	16	165		16	6.4	17		6	.8							3126
					3				1								3167

2-AXLE EQUIVALENT

DOT-RNBS05A-8

STATE OF WASHINGTON - DEPARTMENT OF TRANSPORTATION
TRIP SYSTEM
HOURLY TRAFFIC CLASSIFICATION SUMMARY

DATE 12/26/13
TIME 07:34:05
PAGE 4

SR 014 R101037 MP 000.00 OFF SYSTEM ID. LEG 2 DIRECTION OF TRAFFIC WESTBOUND LANE ALL OF
COUNT IDENTIFIER 13-001 COUNTER NUMBER 454627 DESCRIPTION: ON SR 14 WB OFF RAMP TO SE 192ND AVE

DAY	AM TOTAL	PM TOTAL	CARS PICKUPS	BUS	SINGLE MED	UNITS HVY	4+	SINGLE UNIT %	DOUBLE UNITS 4+	5	6+	DOUBLE UNIT %	5- TRAINS 6+	7+	TRAIN %	TRUCK %	CLASS UNKNOWN	TOTAL VEHICLES	
11-07-13																			
THURSDAY	1072	1762	9	1	1	2	4	7.4	6	1	1	.7	3		.3	8.4	1	1171	
AM HOURS																			
12 - 1			2															10	
1 - 2			4															2	
2 - 3			8															4	
3 - 4			4															8	
4 - 5			10															12	
5 - 6			40															44	
6 - 7			93															106	
7 - 8			212		1													222	
8 - 9			169		2													192	
9 - 10			175		2													189	
10 - 11			155		1													166	
11 - 12			195		1													216	
PM HOURS																			
12 - 1			211		3													234	
1 - 2			196		2													213	
2 - 3			192		2													209	
3 - 4			247		15													270	
4 - 5			248		14													259	
5 - 6			228		7													236	
6 - 7			165		4													169	
7 - 8			99		2													103	
8 - 9			99		4													101	
9 - 10			36		1													37	
10 - 11			30															30	
11 - 12			11															11	
AM TOTAL	1072	1762		8	73	2	4	7.4	6	1	1	.7	3		.3	8.4	1	1171	
PM TOTAL				9	76	6	2	5.0	14	3	3	.9				5.9		1872	
DAY TOTAL	2834			17	149	8	6	5.9	20	4	1	.8	3		.1	6.8	1	3043	
																		3086	

2-AXLE EQUIVALENT

SR 014 R101037 MP 000.00 OFF SYSTEM ID. LEG 2 DIRECTION OF TRAFFIC WESTBOUND LANE ALL OF
 COURT IDENTIFIER 13-001 COUNTER NUMBER 454627 DESCRIPTION: ON SR 14 WB OFF RAMP TO SE 192ND AVE

11-08-13	CARS PICKUPS	BUS MED HVY	SINGLE UNIT 4+	SINGLE UNIT %	DOUBLE UNITS 4-5	DOUBLE UNITS 6+	DOUBLE UNIT %	5-6 TRAINS 7+	TRAIN %	TRUCK %	CLASS UNKNOWN	TOTAL VEHICLES
FRIDAY	12	1	1	7.7						7.7		13
AM HOURS	1											4
12	4											7
1	7											4
2	11											11
3	10											12
4	41			8.3						8.3		45
5	98			10.1						10.1		109
6	192			4.9						4.9		204
7												
8												
9												
10												
11												
12												
AM TOTAL	375	3	20	6.2	1							403
PM TOTAL	375	3	20	6.2	1							403
DAY TOTAL	375	3	20	6.2	1							403

11-04-13 THRU 11-08-13
 AVERAGE WEEKDAY CLASSIFICATION VOLUMES
 CARS PICKUPS | BUS MED HVY | SINGLE UNIT % | DOUBLE UNITS 4-5 | DOUBLE UNITS 6+ | DOUBLE UNIT % | 5-6 TRAINS 7+ | TRAIN % | TRUCK % | CLASS UNKNOWN | TOTAL VEHICLES

AVG WEEKDAY VOLUME 2857 16 144 15 3 5.8 16 7 2 .8 1 6.7 3064
 TOTAL HOURS FOR COUNT 92
 3 DAYS
 AVG WEEKDAY VOL 3064 X SEASONAL ADJ. FACTOR 0.9600 = ESTIMATED AVG DAILY TRAFFIC 2941
 AND 2-AXLE EQUIVALENT

PEAK HOUR PERCENTAGES: K = 8.81 D = 100.00 T = 6.67
 PEAK HOUR LOCATION : VOLUME = 270 DATE: 11/06/13 TIME: 05:00 PM

NOTE: MED HIGH / COURT HIGH?

RU

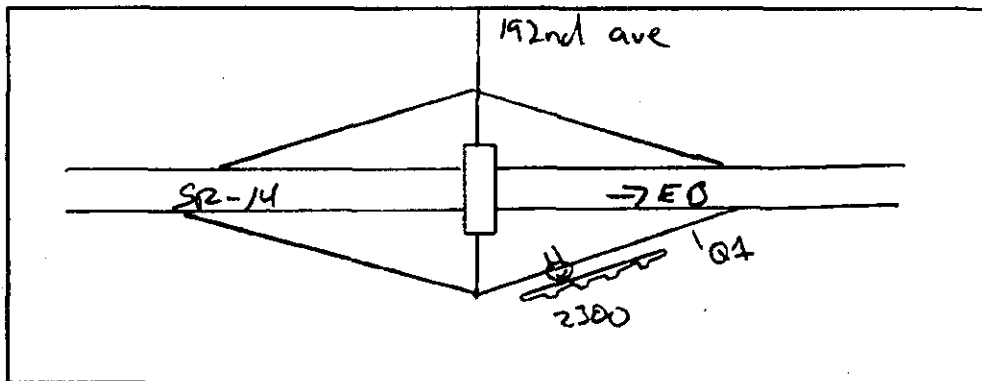
Interval 60 min. 15 min.
 Binned(CL/SP) Count(volume)
 Lane No 1 2
 Direction Channel 1 _____
 Direction Channel 2 _____
 Unique ID# _____

Counter No. 452300 Count ID 13-001
 SR 14 RRT/RRQ Q1 01046 MP 0.00
 Leg 2 Direction EB OSID _____

Station Description _ ON SR-14 EB on ramp from SE 192nd ave

Date	Day	Time	Comments		
11/4/13	2	11:37	Manual (1) <u>5</u> (2) _____ Counter (1) <u>5</u> (2) _____	Set up ok	JDM/ST 6.4v
11/5/13	3	11:54	Manual (1) <u>10</u> (2) _____ Counter (1) <u>10</u> (2) _____	Check ok	JDM/TWB 6.6v
11/6/13	4	08:26	Manual (1) <u>6</u> (2) _____ Counter (1) <u>6</u> (2) _____	Check ok	JDM/TWB 6.5v
11/7/13	5	10:47	Manual (1) <u>2</u> (2) _____ Counter (1) <u>2</u> (2) _____	Check ok	JDM/TWB 6.5v
11/8/13	6	08:09	Manual (1) _____ (2) _____ Counter (1) _____ (2) _____ <i>Bad tube</i>	P/U ok	JDM/TWB 6.5v

Sketch



JDM/TWB
Field Person

SR 014 Q101046 MP 000.00 OFF SYSTEM ID. COUNTER NUMBER 452300 DESCRIPTION: ON SR 14 EB ON RAMP FROM SE 192ND AVE LANE ALL OF
 COUNT IDENTIFIER 13-001 LEG 2 DIRECTION OF TRAFFIC EASTBOUND

11-04-13 MONDAY AM HOURS	CARS PICKUPS	SINGLE MED HVT	UNITS 4+	SINGLE UNIT %	DOUBLE UNITS 4-5	DOUBLE UNITS 6+	DOUBLE UNIT %	5- TRAINS 6	7+ TRAINS 7+	TRAIN %	TRUCK %	CLASS UNKNOWN	TOTAL VEHICLES
1	196	3	1	2.9	2	1	1.9				4.9	1	206
2	193	1	1	2.0	3		1.5				3.5	3	201
3	222	4	2	3.7	8		3.3				7.0	6	242
4	219	3	1	3.8	4	1	2.1				5.9	9	239
5	266	3	1	2.4	6		2.4				4.8	4	289
6	286	2		1.0	5		1.7				1.7	3	295
7	204	2			1	1	1.5				1.0	1	209
8	129	1					.8				1.5	1	132
9	114	1		1.3	1		1.5				.8	3	118
10	72										1.3	2	75
11	34												34
12	11												11
AM TOTAL	1946	5	5	1.9	30	2	1.7				3.6	32	2051
PM TOTAL	1946	5	18	1.9	30	2	1.7				3.6	32	2051
DAY TOTAL	1946	5	18	1.9	30	2	1.7				3.6	32	2103

2-AXLE EQUIVALENT

DOT-RNB505A-B

STATE OF WASHINGTON - DEPARTMENT OF TRANSPORTATION
TRIP SYSTEM SUMMARY
HOURLY TRAFFIC CLASSIFICATION SUMMARY

DATE 12/26/13
TIME 07:34:05
PAGE 7

SR 014 0101046 MP 000.00 OFF SYSTEM ID. COUNTER NUMBER 452300 LEG 2 DESCRIPTION: ON SR 14 EB ON RAMP FROM SE 192ND AVE LANE ALL OF

DATE	TIME	CARS PICKUPS	BUS	SINGLE MED	UNITS HVY	4+	SINGLE UNIT %	DOUBLE UNITS 4-	5	6+	DOUBLE UNIT %	5-	TRAINS 6	7+	TRAIN %	TRUCK %	CLASS UNKNOWN	TOTAL VEHICLES
11-05-13	TUESDAY	15	1	8	9	1	10.0	1	1	3	5.8	10.0	2	1	1.1	3.3	6	183
	AM HOURS	15	1	8	9	1	10.0	1	1	3	5.8	10.0	2	1	1.1	3.3	6	183
	PM HOURS	17	1	178	1	1	3.1	2	2	2	3.1	1.7				2.3	4	191
	AM TOTAL	753	2	13	3	6	2.9	10	4	4	2.2		2		.2	5.4	21	818
	PM TOTAL	2064	5	24	3	6	1.7	22	3	4	1.3					3.1	44	2175
	DAY TOTAL	2817	7	37	6	12	2.1	32	7	8	1.6		2		.1	3.7	65	2993

2993
3071

DOT-RNB505A-B

STATE OF WASHINGTON - DEPARTMENT OF TRANSPORTATION
TRIP SYSTEM
HOURLY TRAFFIC CLASSIFICATION SUMMARY

DATE 12/26/13
TIME 07:34:05
PAGE 8

SR 014 Q101046 MP 000.00 OFF SYSTEM ID. COUNTER NUMBER 452300 LEG 2 DESCRIPTION: ON SR 14 EB ON RAMP FROM SE 192ND AVE LANE ALL OF

DATE	TIME	CARS PICKUPS	BUS	SINGLE MED	HVY	4+	SINGLE UNIT %	DOUBLE UNITS 4-	5	6+	DOUBLE UNIT %	5-	TRAINS 6	7+	TRAIN %	TRUCK %	CLASS UNKNOWN	TOTAL VEHICLES
11-06-13	WEDNESDAY	12	1	1	1	1	1.4	1	1	1	.7	1	1	1	.6	1.4	4	136
11-06-13	AM HOURS	12	1	1	1	1	3.7	1	1	1	1.0	1	1	1	.6	4.4	4	136
11-06-13	PM HOURS	12	1	1	1	1	6.9	1	1	1	3.4	1	1	1	.6	7.8	4	102
11-06-13	AM TOTAL	24	2	2	2	2	5.6	2	2	2	1.4	2	2	2	.6	6.0	8	117
11-06-13	PM TOTAL	24	2	2	2	2	3.0	1	1	1	1.2	1	1	1	.6	4.8	4	143
11-06-13	DAY TOTAL	2921	5	42	9	7	2.1	27	2	4	1.1	2	2	2	.1	3.3	51	167

AM TOTAL		756	5	18	5	6	3.6	8	2	2	1.2	1	2	2	.1	5.0	6	802
PM TOTAL		2165	5	24	4	1	1.5	19	2	2	1.0	1	2	2	.1	2.6	45	2270
DAY TOTAL		2921	5	42	9	7	2.1	27	2	4	1.1	2	2	2	.1	3.3	51	3072

2-AXLE EQUIVALENT																		
3072																		
3729																		

DOT-RNB505A-8

STATE OF WASHINGTON - DEPARTMENT OF TRANSPORTATION
TRIP SYSTEM
HOURLY TRAFFIC CLASSIFICATION SUMMARY

DATE 12/26/13
TIME 07:34:05
PAGE 9

SR 014 Q101046 MP 000.00 OFF SYSTEM ID. COUNTER NUMBER 452300 LEG 2 DESCRIPTION: ON SR 14 EB ON RAMP FROM SE 192ND AVE LANE ALL OF

11-07-13 THURSDAY AM HOURS	CARS PICKUPS	BUS	SINGLE MED	HVY	SINGLE UNIT %	DOUBLE UNITS 4+	DOUBLE UNITS 5	DOUBLE UNITS 6+	DOUBLE UNIT %	5- TRAINS 6	7+ TRAINS 7+	TRAIN %	TRUCK %	CLASS UNKNOWN	TOTAL VEHICLES
1	4														4
2	10														10
3	3														3
4	9														9
5	14														15
6	64														66
7	117														141
8	105														112
9	112														125
10	105														120
11	151														164
12	146														180
1	230														249
2	155														220
3	231														265
4	242														296
5	256														329
6	190														228
7	144														170
8	110														127
9	59														71
10	39														40
11	17														19
12	17														19
AM TOTAL	711	2	11	7	3	9	2	1	1.5	2	3	.6	5.1	35	786
PM TOTAL	1819	8	26	4	3	14			.6	1	1		2.6	319	2194
DAY TOTAL	2530	10	37	11	6	23	2	1	.9	2	4	.2	3.2	354	2980
2-AXLE EQUIVALENT 3031															

BAD
TUBE

DOT-RMB505A-B

STATE OF WASHINGTON - DEPARTMENT OF TRANSPORTATION
HOURLY TRAFFIC CLASSIFICATION SUMMARY

DATE 12/26/13
TIME 07:34:05
PAGE 10

SR 014 0101046 MP 000.00 OFF SYSTEM ID. LEG 2 DIRECTION OF TRAFFIC EASTBOUND LANE ALL OF
COUNT IDENTIFIER 13-001 COUNTER NUMBER 452300 DESCRIPTION: ON SR 14 EB ON RAMP FROM SE 192ND AVE

11-08-13	CARS PICKUPS	BUS MED	SINGLE UNITS 4+	SINGLE UNIT %	DOUBLE UNITS 4-5	DOUBLE UNITS 6+	DOUBLE UNIT %	5- TRAINS 6	7+ TRAINS	TRAIN %	TRUCK %	CLASS UNKNOWN	TOTAL VEHICLES
FRIDAY 12 - 1	15												15
1 - 2	3												3
2 - 3	5												5
3 - 4	6												6
4 - 5	8												8
5 - 6	15		1	5.9		1	5.9						17
6 - 7	47		2	3.1									65
7 - 8	101		5	4.3									140
8 - 9													
9 - 10													
10 - 11													
11 - 12													
AM TOTAL	200		6	3.5		1	4						260
PM TOTAL			2			1							50
DAY TOTAL	200		6	3.5		1	4						260

11-04-13 THRU 11-08-13

AVERAGE WEEKDAY CLASSIFICATION VOLUMES *****

CARS PICKUPS	BUS MED	SINGLE UNITS 4+	SINGLE UNIT %	DOUBLE UNITS 4-5	DOUBLE UNITS 6+	DOUBLE UNIT %	5- TRAINS 6	7+ TRAINS	TRAIN %	TRUCK %	CLASS UNKNOWN	TOTAL VEHICLES
2756	7	39	9	8	2.1	27	4	4	1.2	1	3	3015
2809	6	40	8	10	2.11	30	5	6	1.35	1	2	3076
AVG WEEKDAY VOLUME												

2 3 DAYS
AVG WEEKDAY VOL 3015 X SEASONAL ADJ. FACTOR 0.9600 = ESTIMATED AVG DAILY TRAFFIC 2894

3035
10.95

PEAK HOUR PERCENTAGES: K = 11.01 D = 100.00 T = 1.81
PEAK HOUR LOCATION : VOLUME = 332 DATE: 11/06/13 TIME: 05:00 PM

NOTE: MED LOW/4 - HIGH