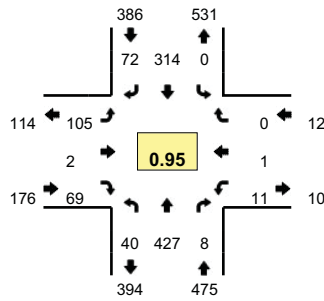
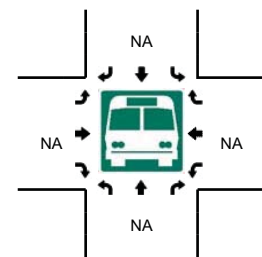
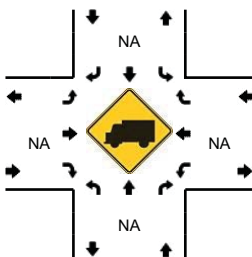
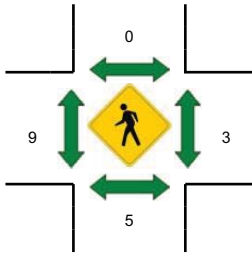
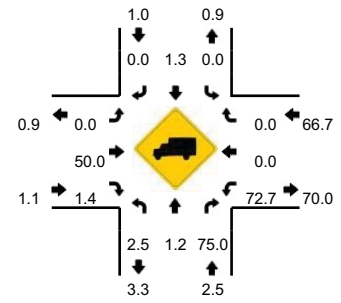


LOCATION: NE 10th Ave -- NE 139th St
CITY/STATE: Vancouver, WA

QC JOB #: 10837016
DATE: Tue, Oct 23 2012



Peak-Hour: 4:40 PM -- 5:40 PM
Peak 15-Min: 5:00 PM -- 5:15 PM



5-Min Count Period Beginning At	NE 10th Ave (Northbound)				NE 10th Ave (Southbound)				NE 139th St (Eastbound)				NE 139th St (Westbound)				Total	Hourly Totals
	Left	Thru	Right	U	Left	Thru	Right	U	Left	Thru	Right	U	Left	Thru	Right	U		
4:00 PM	7	31	0	0	0	29	6	0	5	0	4	0	2	0	0	0	84	
4:05 PM	2	24	0	0	0	26	2	0	9	0	6	0	0	0	0	0	69	
4:10 PM	0	27	1	0	0	28	2	0	6	0	4	0	1	0	0	0	69	
4:15 PM	4	35	0	0	0	27	4	0	10	0	2	0	0	0	0	0	82	
4:20 PM	2	30	0	0	0	19	8	0	10	1	5	0	0	0	0	0	75	
4:25 PM	4	32	2	0	0	28	9	0	13	0	2	1	2	0	0	0	93	
4:30 PM	4	22	1	0	0	30	8	0	4	0	6	0	0	0	0	0	75	
4:35 PM	6	22	2	0	0	22	5	0	8	0	5	0	3	0	0	0	73	
4:40 PM	0	47	1	0	0	31	4	0	8	0	7	0	1	0	0	0	99	
4:45 PM	8	46	1	0	0	20	3	0	8	0	5	0	0	0	0	0	91	
4:50 PM	1	28	2	0	0	22	4	0	7	0	6	1	2	0	0	0	73	
4:55 PM	2	24	0	0	0	34	9	0	14	0	4	0	0	0	0	0	87	970
5:00 PM	4	34	0	0	0	32	8	0	6	0	7	0	2	0	0	0	93	979
5:05 PM	2	37	0	0	0	35	8	0	6	0	4	0	1	0	0	0	93	1003
5:10 PM	4	41	1	0	0	27	6	0	7	0	4	0	0	0	0	0	90	1024
5:15 PM	9	32	0	0	0	15	5	0	12	1	10	0	1	0	0	0	85	1027
5:20 PM	1	30	1	0	0	36	4	0	6	1	7	0	0	0	0	0	86	1038
5:25 PM	0	30	2	0	0	19	9	0	6	0	5	0	3	0	0	0	74	1019
5:30 PM	4	40	0	0	0	22	7	0	7	0	3	0	1	1	0	0	85	1029
5:35 PM	5	38	0	0	0	21	5	0	17	0	7	0	0	0	0	0	93	1049
5:40 PM	3	43	1	0	0	25	2	0	11	0	9	0	0	0	0	0	94	1044
5:45 PM	2	39	1	0	0	25	5	0	10	0	6	0	0	0	0	0	88	1041
5:50 PM	4	37	0	0	0	15	5	0	7	1	5	0	0	0	0	0	74	1042
5:55 PM	3	30	1	0	0	26	3	0	11	0	0	1	2	0	0	0	77	1032
Peak 15-Min Flowrates	Northbound				Southbound				Eastbound				Westbound				Total	
	Left	Thru	Right	U	Left	Thru	Right	U	Left	Thru	Right	U	Left	Thru	Right	U		
All Vehicles	40	448	4	0	0	376	88	0	76	0	60	0	12	0	0	0	1104	
Heavy Trucks	0	4	4	0	0	4	0	0	0	0	0	0	8	0	0	0	20	
Pedestrians		12				0				16				12			40	
Bicycles	0	0	0		0	1	0		0	0	0		0	0	1		2	
Railroad																		
Stopped Buses																		

Comments: