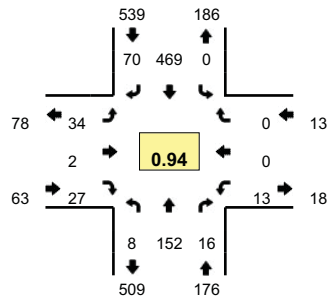
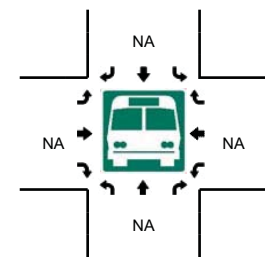
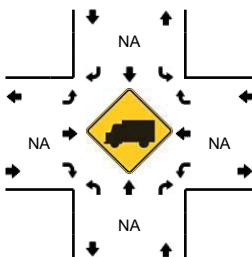
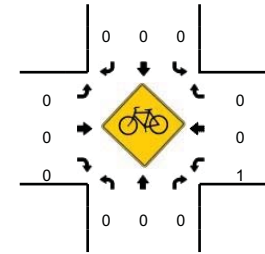
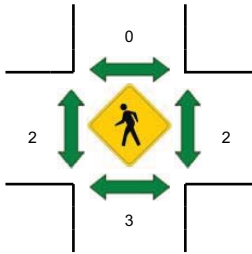
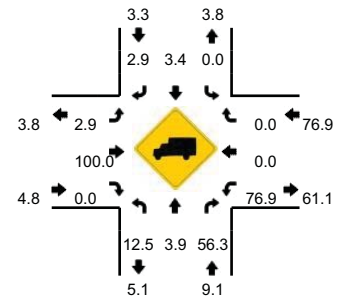


LOCATION: NE 10th Ave -- NE 139th St
CITY/STATE: Vancouver, WA

QC JOB #: 10837015
DATE: Wed, Oct 24 2012



Peak-Hour: 7:00 AM -- 8:00 AM
Peak 15-Min: 7:20 AM -- 7:35 AM



5-Min Count Period Beginning At	NE 10th Ave (Northbound)				NE 10th Ave (Southbound)				NE 139th St (Eastbound)				NE 139th St (Westbound)				Total	Hourly Totals
	Left	Thru	Right	U	Left	Thru	Right	U	Left	Thru	Right	U	Left	Thru	Right	U		
7:00 AM	0	19	3	0	0	37	8	0	1	0	4	0	0	0	0	0	72	
7:05 AM	0	16	0	0	0	32	6	0	1	0	5	0	3	0	0	0	63	
7:10 AM	1	11	1	0	0	31	12	0	1	0	5	0	1	0	0	0	63	
7:15 AM	0	10	0	0	0	35	9	0	3	0	0	0	1	0	0	0	58	
7:20 AM	2	14	0	0	0	40	8	0	6	1	4	0	0	0	0	0	75	
7:25 AM	1	11	2	0	0	41	1	0	4	0	1	0	2	0	0	0	63	
7:30 AM	1	11	1	0	0	44	4	0	6	0	4	0	1	0	0	0	72	
7:35 AM	0	7	1	0	0	56	3	0	4	1	0	0	1	0	0	0	73	
7:40 AM	0	12	3	0	0	38	3	0	1	0	2	0	1	0	0	0	60	
7:45 AM	1	12	2	0	0	27	3	0	1	0	2	0	0	0	0	0	48	
7:50 AM	2	11	1	0	0	48	7	0	5	0	0	0	1	0	0	0	75	
7:55 AM	0	18	2	0	0	40	6	0	1	0	0	0	2	0	0	0	69	791
8:00 AM	1	11	1	0	0	41	2	0	2	0	1	0	0	0	0	0	59	778
8:05 AM	0	10	0	0	0	32	0	0	2	0	1	0	1	0	0	0	46	761
8:10 AM	0	10	2	0	0	23	2	0	0	0	3	0	0	0	0	0	40	738
8:15 AM	0	18	2	0	0	21	1	0	3	0	1	0	0	0	0	0	46	726
8:20 AM	2	9	1	0	0	38	5	0	3	1	4	0	3	0	0	0	66	717
8:25 AM	2	15	2	0	0	23	5	0	8	0	1	0	2	0	0	0	58	712
8:30 AM	0	17	2	0	0	21	3	0	4	0	2	0	0	0	1	0	50	690
8:35 AM	0	21	0	0	0	20	3	0	3	0	1	0	2	0	0	0	50	667
8:40 AM	1	9	1	0	0	25	2	0	4	1	1	0	0	1	0	0	45	652
8:45 AM	0	8	2	0	0	30	2	0	3	0	1	0	0	0	0	0	46	650
8:50 AM	4	17	1	0	0	20	4	0	2	0	2	0	1	0	0	0	51	626
8:55 AM	2	15	2	0	0	27	3	0	1	0	5	0	1	0	0	0	56	613
Peak 15-Min Flowrates	Northbound				Southbound				Eastbound				Westbound				Total	
	Left	Thru	Right	U	Left	Thru	Right	U	Left	Thru	Right	U	Left	Thru	Right	U		
All Vehicles	16	144	12	0	0	500	52	0	64	4	36	0	12	0	0	0	840	
Heavy Trucks	0	8	12		0	16	0		0	4	0		12	0	0		52	
Pedestrians		4				0				0				4			8	
Bicycles	0	0	0		0	0	0		0	0	0		1	0	0		1	
Railroad																		
Stopped Buses																		

Comments: